

CLP series round LED panel light

Super Thin Round LED Panel Light Series

COOLiGHT
Lighting your life

Ø145mm
CLPA-0106

Ø180mm
CLPB-0108

Ø240mm
CLPC-0113

Ø300mm
CLPD-0115

Super thin 12mm thick

LED driver inside view

Spring clip system
Edge light heat sink design

PF > 0.9 isolated LED driver
High reliability connector

Cable clamp
FRP isolating sleeve

Front view white coating frame

www.coolightled.com

Product high light:

1. Edge light design, super slim,
2. Special design screen printing LGP(light guide plate) for high output,
3. Coolight self-design PF>0.9 high stability isolated constant current LED driver,
4. Optimized LED arrangement for long life time and high output maintenance,
5. Cable clamp and FRP isolating sleeve to avoid damage,
6. Good uniformity and soft light, healthy for your eyes.

Specification:

Product Name: CLP series round LED panel light

Power consumption:7W for 145MM, 10W for 180MM, 16W for 240MM, 19W for 300MM

Heat sink material: Die-casting aluminum

LED driver type: Isolated constant current LED driver

LED driver input voltage: 100-240V AC

LED driver PF: PF>0.9

Standard CRI: CRI>80

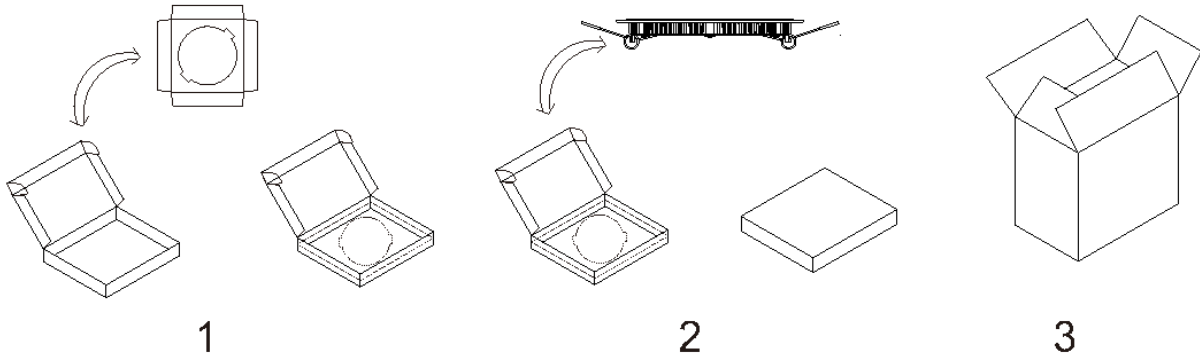
Beam angle: 110 degree

Color temperature: 3000k, 4000k, 6000k optional

Luminous flux: detail lumen information as following table

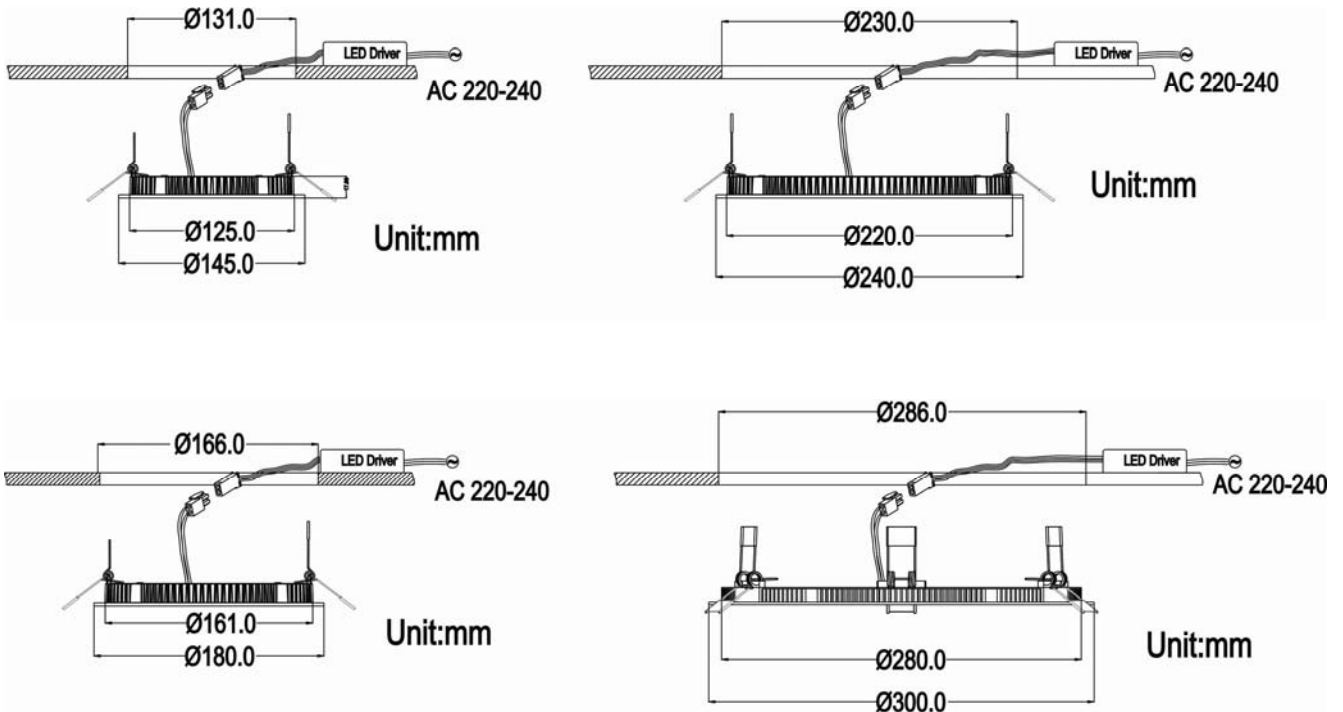
Product Name	Part No.	Input Voltage	Current (A)	Power (W)	Power Factor	Luminous flux (lm)	CCT (K)	CRI	Beam Angle	Cut Size (mm)	Weight(g)	
											N.W	G.W
145mm Panel Light	CLPA-0106	100—240VAC	0.033 (@220VAC)	7	>0.9	350	6000k 4000k 3000k	>80	110°	∅ 131	240	480
						330						
						320						
180mm Panel Light	CLPB-0108	100—240VAC	0.047 (@220VAC)	10	>0.9	570 550 490						
240mm Panel Light	CLPC-0113	100—240VAC	0.076 (@220VAC)	16	>0.9	1050 1020 900	∅ 230	540	880			
300 mm Panel Light	CLPD-0115	100—240VAC	0.09 (@220VAC)	19	>0.9	1150 1120 1000	∅ 286	895	1280			

Package information:



Part No.	Single box (mm)	G.W. per pcs (±5%)	Outer carton (mm)	QTY per Carton (pcs)	G.W per carton (±5%)
CLPA- 0106	185*180*50	480g	545*375*260	30	15.3kg
CLPB- 0108	210*205*50	677g	560*385*360	30	19.6kg
CLPC- 0113	285*280*50	880g	560*285*510	20	19.3kg
CLPD- 0115	360*355*50	1280g	510*370*370	10	14.7kg

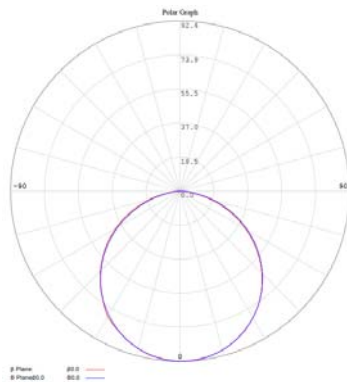
Cut size and installation diagram:



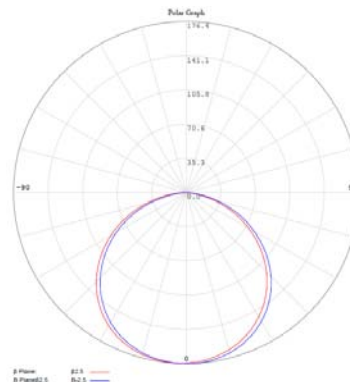
CAUTION:

- 1) Indoor use only.
- 2) Working temperature: -20-40°C.
- 3) Please turn off power prior to installation, replacement and cleaning.
- 4) Do not try to disassemble the lamp.
- 5) Non-dimmable, can't be installed in dimming circuit.

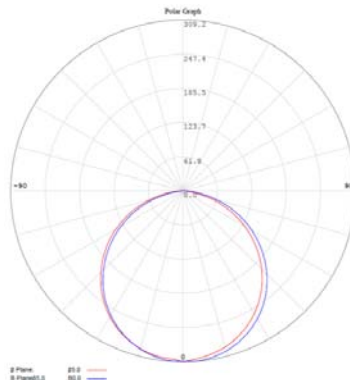
Light Distribution Curve(cd)



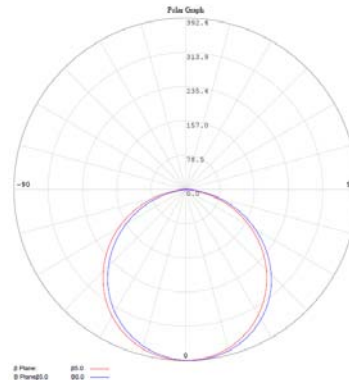
CLPA-0106



CLPB-0108

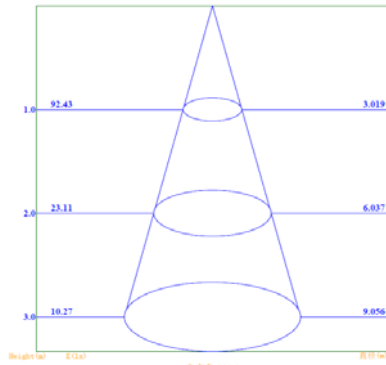


CLPC-0113

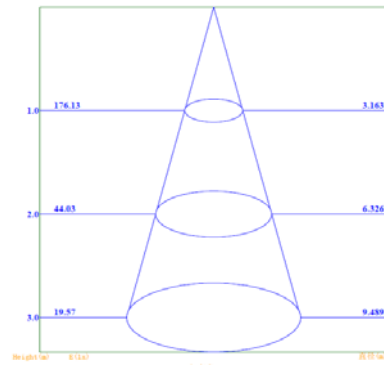


CLPD-0115

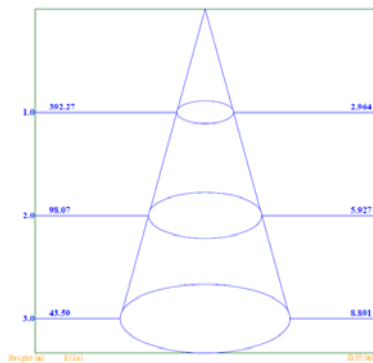
Lux test diagram



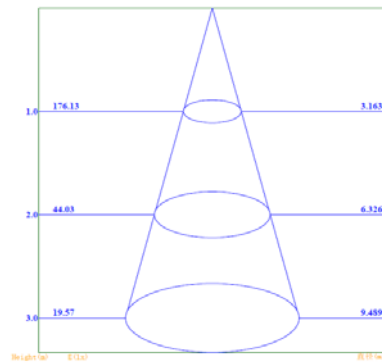
CLPA-0106



CLPB-0108



CLPC-0113



CLPD-0115